

OCULUS BIOM[®] 6

Wide-Angle Observation

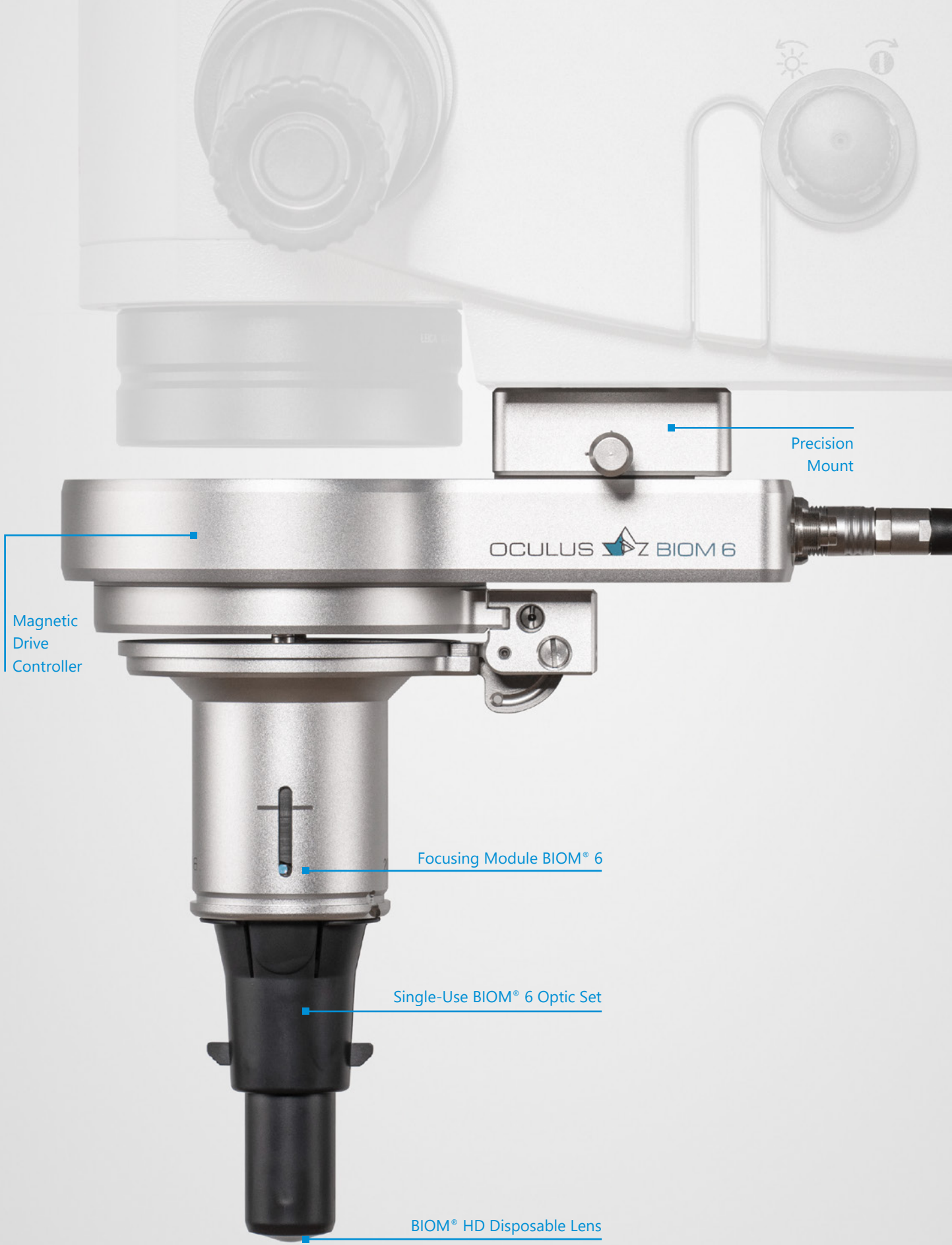


Evolved from the Original. Built for the Future.

Since developing the first non-contact wide-angle observation system in 1985, OCULUS has continued to adapt the BIOM® design to meet the changing requirements of retinal surgeons around the world.

Forty years later, the BIOM® 6 represents the next step in the direction of future technologies for surgical retinal visualization. With its closed design, magnetically driven motorized focus, and options for full microscope integration, the BIOM® 6 provides exceptional imaging quality, increased patient safety and greater operating room efficiency.





Precision Mount

Magnetic Drive Controller

OCULUS Z BIOM 6

Focusing Module BIOM® 6

Single-Use BIOM® 6 Optic Set

BIOM® HD Disposable Lens

OCULUS BIOM® 6

Next Generation Features



Glare-free in Every Lighting Situation

The closed optical design of the BIOM® 6 keeps surrounding light reflections away from the front lens surface to ensure glare-free images, regardless of the operating theatre lighting. Now everyone on the surgical team can have the best view of their workspace.

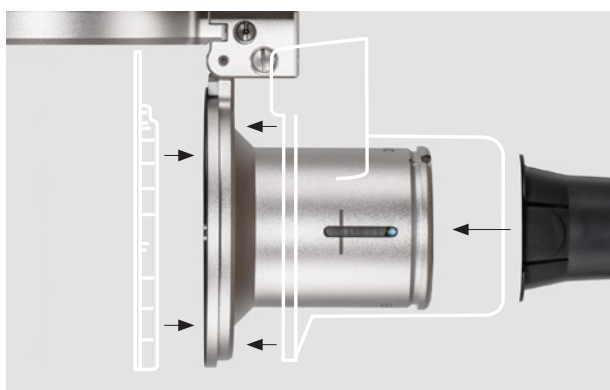


Enhanced Safety Through Internal Focusing Mechanism

The BIOM® 6 focuses images through a magnetically driven internal system, while the position of the front lens remains unchanged. This, together with the built-in safety insertion, minimizes the risk of corneal touch-down. The circular pin indicates the position of the reduction lens.

Wide Focus Range – Seamless Adaptation

With the BIOM® 6, maintaining perfect focus throughout surgical transitions is effortless. Its exceptionally wide focus range smoothly adapts to the adjustments required during Fluid-Air-Exchange (FAX), ensuring a consistently clear, reliable view. The internal focusing mechanism allows for instant fine-tuning – without the need to touch the microscope – giving surgeons maximum efficiency and uninterrupted workflow.

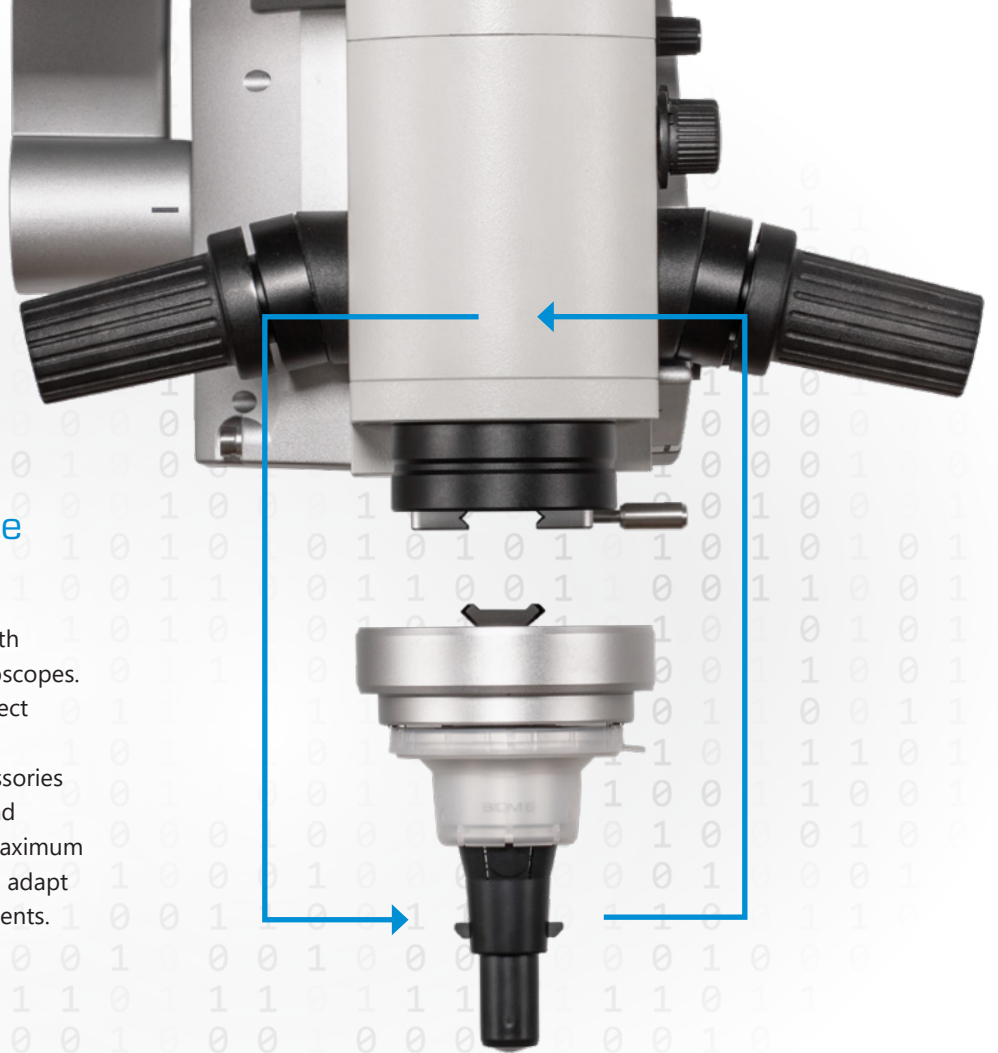


Hybrid Components – Optimized for Efficiency

The BIOM® 6 combines reusable and single-use components to streamline surgical workflow. With no need for sterilization, preparation is faster and more efficient. The disposable cover and front lens are designed for effortless handling – simply click them into place for immediate readiness.

Intelligent Microscope Integration

The BIOM® 6 is designed for smooth communication with surgical microscopes. CAN integration is available for select manufacturers, enabling reliable connectivity. A wide range of accessories – including inverter, foot switch, and power supply control – provides maximum versatility, allowing the BIOM® 6 to adapt easily to different clinical environments.

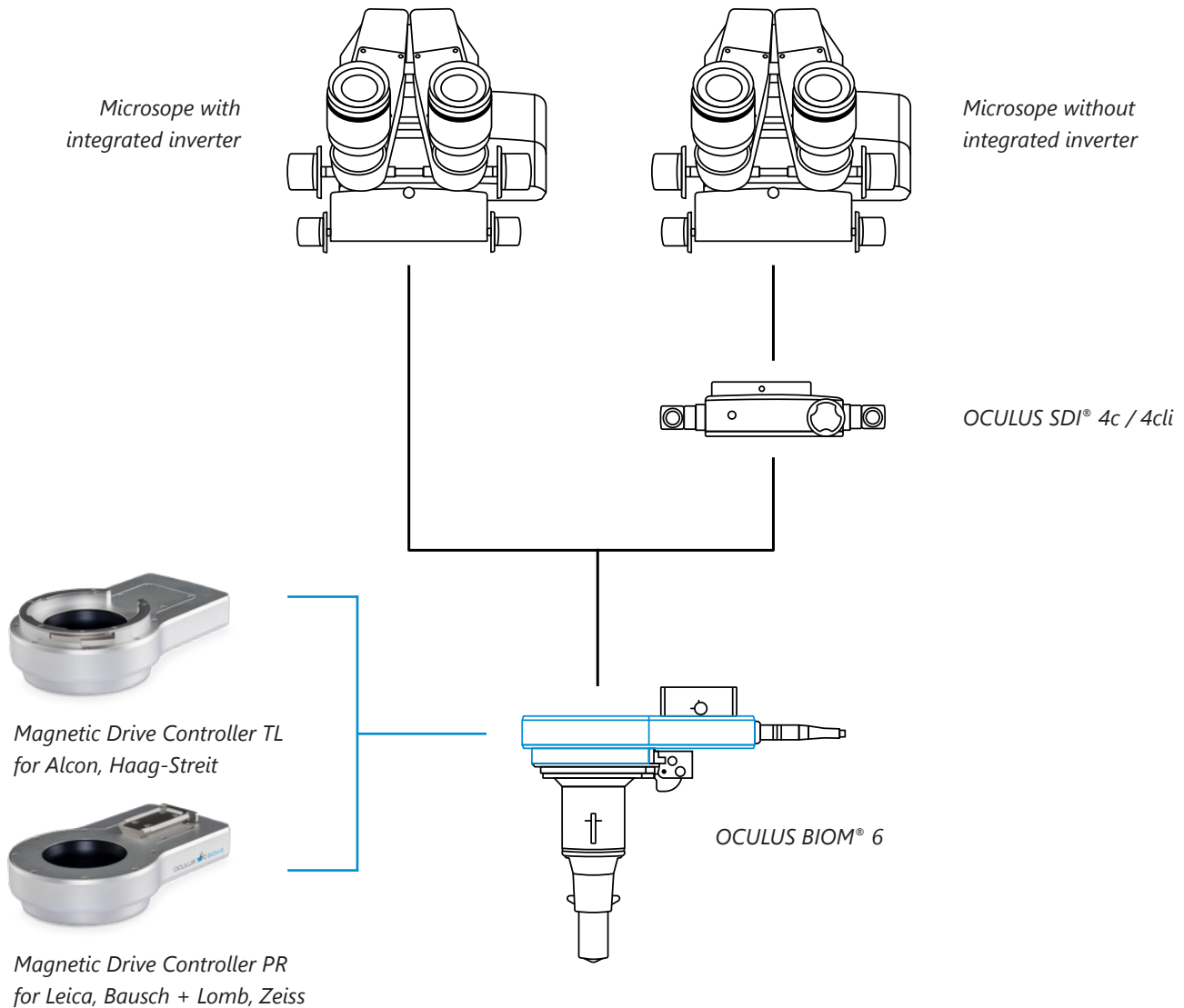


Enhanced Contrast Perception – Perfect for 3D or Heads-up Systems



OCULUS BIOM® 6

Adaptation Possibilities



Specifically designed to optimize performance with either a $f = 175$ mm or $f = 200$ mm microscope working distance.

BIOM® 6 adaptations are currently available for the following microscope types:

Alcon	LuxOR® Revalia™
Bausch+Lomb	SeeLuma™
Haag Streit	METIS 900, HI-R NEO 900
Leica	Proveo 8x, Proveo 8, M844, M822
Zeiss	ARTEVO® 750, ARTEVO® 800, ARTEVO® 850, Lumera® 700, Lumera® T, Lumera® i



WWW.OCULUSSURGICAL.COM



The OCULUS QM system is certified in accordance with ISO 13485 (MDSAP) and (EU) 2017/745 (MDR)

OCULUS Optikgeräte GmbH
Postfach • 35549 Wetzlar • GERMANY
Tel. +49 641 2005-0 • Fax +49 641 2005-299
Email: support@oculussurgical.de • www.oculussurgical.com

Find your local OCULUS representative on our website.

